



## **WF63 Datasheet**

Amp'ed RF Technology, Inc.

## WF63 Product Specification



14.6mm x 13.5mm x 2.8 mm

### Description

Amp'ed RF Technology presents the WF63 Wi-Fi Stand-alone module: 802.11bgn + Host MCU with Wi-Fi protocol stack. The WF63 is a small footprint, low cost RF module including chip antenna, 6 general purpose and ADC IO lines, several serial interface options, and up to 4M bps data throughput using the SPI interface.

The complete stack, TCP/IP with WLAN, is hosted on the integrated MCU. A simple AT command interface, artSerial, allows users to easily configure and operate the WF63.

### WLAN features

- 802.11b/g/n, 802.11d Regulatory Domain, 802.11r
- Output Power, +23dBm
- Power savings mode
- Transmit power back-off
- Wi-Fi Direct (concurrent)
- Wi-Fi Protected Setup
- Soft Access Point
- Hotspot 2.0
- Security: WPA2, AES

### Hardware configuration

- Cortex-M4 microprocessor up to 100 MHz
- 512K bytes Flash memory
- 128K bytes RAM memory
- UART, up to 2.25M baud
- SPI and I2C interfaces
- 6 general purpose I/O
- 2 x12-bit A/D inputs
- 1 LPO input
- Standby current, 60  $\mu$ A
- RoHS conformance
- FCC/IC/CE certified

### Embedded software

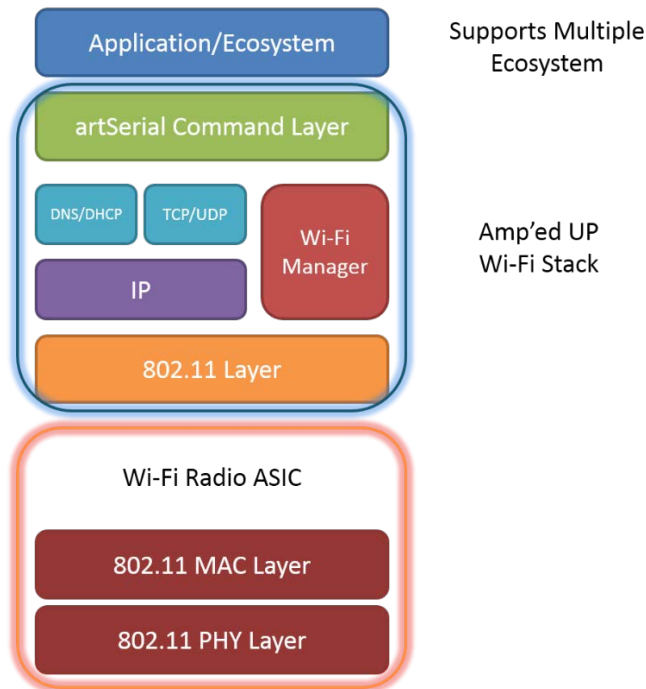
- Amp'edUP WiFi stack
- artSerial, AT command set, SDK, Software Development Kit
- Mobile application software

## Table of Contents

<b>1. Software Architecture .....</b>	<b>4</b>
1.1. Protocol stack diagram .....	4
1.2. Wi-Fi features .....	4
<b>2. Hardware Specifications.....</b>	<b>5</b>
2.1. Recommended Operating Conditions .....	5
2.2. Absolute Maximum Ratings .....	5
2.3. I/O Operating Conditions.....	5
2.4. Current Consumption .....	6
2.5. Selected RF Characteristics.....	6
2.6. Transmit Power Back-off .....	7
2.7. Pin Assignment .....	9
2.8. Pin Placement Diagram (Top View) .....	10
2.9. Layout Drawing .....	11
<b>3. Hardware Design.....</b>	<b>12</b>
3.1. Block Diagram .....	12
3.2. Layout .....	12
3.3. Module Reflow.....	12
3.4. GPIO Interface .....	12
3.5. UART Interface.....	12
3.6. PCB Layout Guidelines .....	13
3.7. Reset Circuit.....	13
3.8. Reference design .....	14
3.9. External LPO Input Circuit.....	15
<b>4. Regulatory Compliance .....</b>	<b>16</b>
4.1. Modular Approval, FCC and IC .....	17
4.2. FCC Label Instructions.....	17
4.3. CE Label Instructions .....	17
<b>5. Ordering Information .....</b>	<b>17</b>
<b>6. Revision History .....</b>	<b>18</b>

# 1. Software Architecture

## 1.1. Protocol stack diagram



## 1.2. Wi-Fi features

- 802.11b/g/n, 802.11d Regulatory Domain, 802.11r
- Output Power, +23dBm
- Interface, SDIO 2.0, SPI
- Wi-Fi Direct (concurrent)
- Wi-Fi Display
- Wi-Fi Protected Setup
- Soft Access Point
- Hotspot 2.0
- Security: WPA2, AES
- CCX v4 Client Security

## 2. Hardware Specifications

General Conditions ( $V_{IN}$ = 3.6V and 25°C)

### 2.1. Recommended Operating Conditions

Rating	Min	Typical	Max	Unit
Operating Temperature Range	-40	-	85	°C
Supply Voltage $V_{IN}$	2.3	3.6	4.8	Volts
Signal Pin Voltage	-	2.0	-	Volts
RF Frequency	2400	-	2495	MHz

### 2.2. Absolute Maximum Ratings

Rating	Min	Typical	Max	Unit
Storage temperature range	-55	-	+150	°C
Supply voltage $V_{IN}$	-0.3	-	+5.0	Volts
I/O pin voltage $V_{IO}$	-0.3	-	+2.5	Volts
RF input power	-	-	-5	dBm

### 2.3. I/O Operating Conditions

Symbol	Parameter	Min	Max	Unit
$V_{IL}$	Low-Level Input Voltage	-	0.6	Volts
$V_{IH}$	High-Level Input Voltage	1.3	-	Volts
$V_{OL}$	Low-Level Output Voltage	-	0.4	Volts
$V_{OH}$	High-Level Output Voltage	2.0	-	Volts
$I_{OL}$	Low –Level Output Current	-	4.0	Ma
$I_{OH}$	High-Level Output Current	-	4.0	Ma
$R_{PU}$	Pull-up Resistor	80	120	KΩ
$R_{PD}$	Pull-down Resistor	80	120	KΩ

## 2.4. Current Consumption

Modes (WLAN Max Power Level) V <sub>BAT</sub> =3.6V, CPU 42Mhz	Avg	Unit
Complete Power Down	17	Ma
Sleep	101	Ma
Power save (beacon period (including DTIM) 100ms, beacon length 1ms) -proprietary power saving features enabled	0.77	Ma
RX (idle, 2.4GHz)	62.07	Ma
RX (active, 2.4GHz, OFDM)	65.87	Ma
TX (active, 2.4GHz, OFDM), 15.5dBm @RF port	257.67	Ma
TX (active, 2.4GHz, OFDM), 20.5dBm @RF port	279.67	Ma
Data transmission using UART at 115K baud, STA mode	95.2	Ma
Video streaming; the device is receiving 2.0 Mbps of data using legacy PSM mode (for example, MPEG-4@2Mbps)	13.31	Ma
I <sub>peak</sub> : system maximum peak current draw	378	Ma

## 2.5. Selected RF Characteristics

Parameters	Conditions	Typical	Unit
Antenna load		50	ohm
<b>Wi-Fi Receiver</b>			
Sensitivity	DSSS 1Mbps@PER<8%	-98.0	dBm
Sensitivity	DSSS 2Mbps@PER<8%	-95.0	dBm
Sensitivity	CCK <a href="#">5.5Mbps@PER&lt;8%</a>	-93.0	dBm
Sensitivity	CCK 11Mbps@PER<8%	-91.5	dBm
Sensitivity	BPSK 6Mbps@PER<10%	-93.5	dBm
Sensitivity	BPSK 9Mbps@PER<10%	-91.5	dBm
Sensitivity	QPSK 12Mbps@PER<10%	-90.5	dBm
Sensitivity	QPSK 18Mbps@PER<10%	-88.0	dBm
Sensitivity	16QAM 24Mbps@PER<10%	-85.5	dBm
Sensitivity	16QAM 36Mbps@PER<10%	-82.0	dBm
Sensitivity	64QAM 48Mbps@PER<10%	-78.0	dBm
Sensitivity	64QAM 54Mbps@PER<10%	-76.5	dBm
Sensitivity	BPSK <a href="#">6.5Mbps@PER&lt;10%</a>	-92.0	dBm

Sensitivity	QPSK 13Mbps@PER<10%	-89.0	dBm
Sensitivity	QPSK <a href="#">19.5Mbps@PER&lt;10%</a>	-86.5	dBm
Sensitivity	16QAM 26Mbps@PER<10%	-84.0	dBm
Sensitivity	16 QAM 39Mbps@PER<10%	-80.5	dBm
Sensitivity	64QAM 52Mbps@PER<10%	-76.5	dBm
Sensitivity	64QAM <a href="#">58.5Mbps@PER&lt;10%</a>	-74.5	dBm
Sensitivity	64QAM 65Mbps@PER<10%	-73.0	dBm
<b>Wi-Fi Transmitter</b>			
Output Power	802.11b/g BPSK 1/2	21.25	dBm
Output Power	802.11b/g BPSK 3/4	21.25	dBm
Output Power	802.11b/g QPSK 1/2	21.25	dBm
Output Power	802.11b/g QPSK 3/4	21.25	dBm
Output Power	802.11b/g 16QAM 1/2	21.25	dBm
Output Power	802.11b/g 16QAM 3/4	20.25	dBm
Output Power	802.11b/g 64QAM 2/3	19.25	dBm
Output Power	802.11b/g 64QAM 3/4	18.25	dBm
Output Power	802.11n MCS-0	21.25	dBm
Output Power	802.11n MCS-1	21.25	dBm
Output Power	802.11n MCS-2	21.25	dBm
Output Power	802.11n MCS-3	21.25	dBm
Output Power	802.11n MCS-4	20.25	dBm
Output Power	802.11n MCS-5	19.25	dBm
Output Power	802.11n MCS-6	18.25	dBm
Output Power	802.11n MCS-7	17.0	dBm

## 2.6. Transmit Power Back-off

When  $2.7\text{ V} < V_{\text{BAT}} < 3.6\text{ V}$ , the output power shall be backed off by 0.8 Db per 300 mV drop of  $V_{\text{bat}}$  below 3.6 V to guarantee meeting spectral mask, EVM, harmonic levels, spurious emissions and regulatory requirements in general.

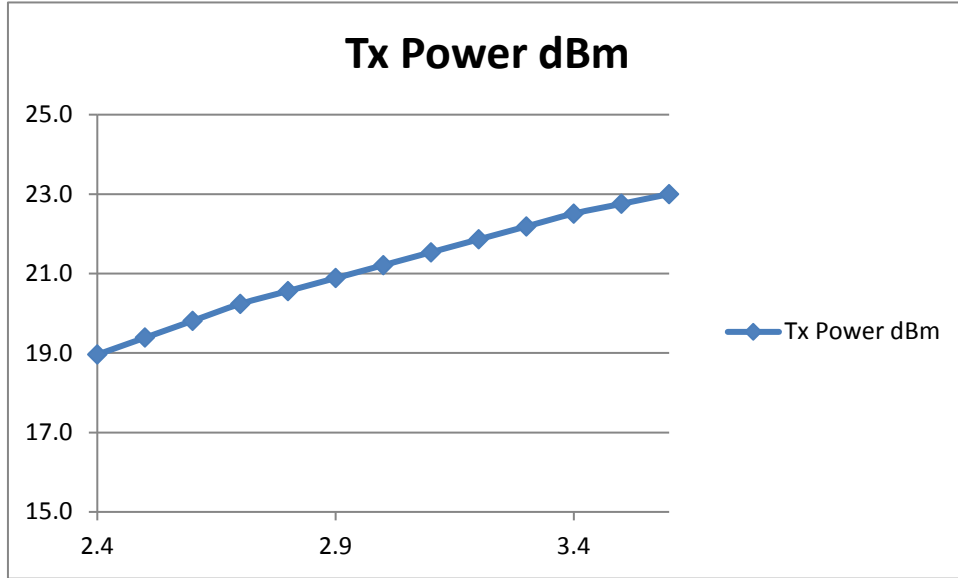
When  $2.3\text{ V} < V_{\text{BAT}} < 2.7\text{ V}$ , an additional back-off of the output power is needed to guarantee meeting spectral mask, EVM, harmonic levels, spurious emissions and regulatory requirements in general.

When the load is not  $50\Omega$ , the output power is backed off to guarantee meeting spectral mask, EVM, harmonic levels, spurious emissions and regulatory requirements in general. The device is able to withstand a VSWR of up to 12:1 without any damage.

When the temperature increases from  $+25^{\circ}\text{C}$  to  $+85^{\circ}\text{C}$ , the output power shall be backed off by 0.25 Db per

10°C increase to guarantee meeting spectral mask, EVM, harmonic levels, spurious emissions and regulatory requirements in general.

**Tx Power vs Vin**

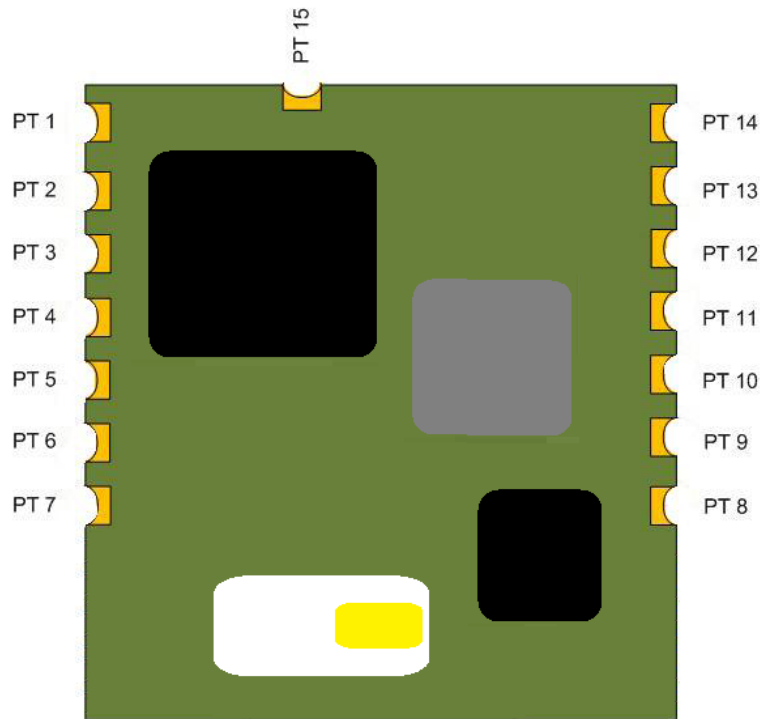




## 2.7. Pin Assignment

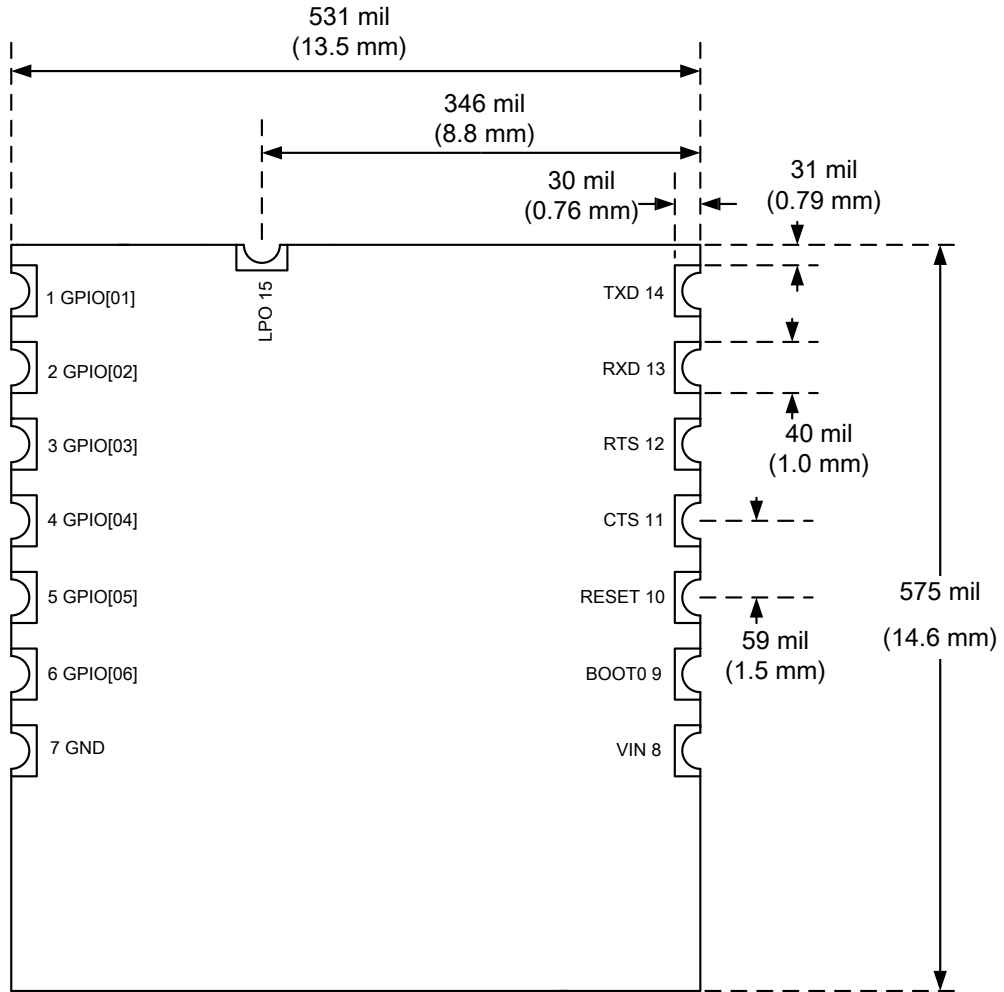
Name	Type	Pin #	Description	ALT Function	5V Tolerant	Initial State
<b>UART Interface</b>						
RXD	I	13	Receive data		Y	
TXD	O	14	Transmit data		Y	
RTS	O	12	Request to send (active low)	I2C Data/Aux Uart Rx	Y	
CTS	I	11	Clear to send (active low)	I2C Clock/Aux Uart Tx	Y	
<b>Reserved</b>						
BOOT 0	I	9	Boot 0			
<b>Power and Ground</b>						
V <sub>in</sub>		8	V <sub>in</sub>			
GND		7	GND			
<b>Reset</b>						
RESETN	I	10	Reset input (active low for 5 ms)		2.5V max	
<b>LPO</b>						
LPO	I	15	LPO input (optional)			
<b>GPIO – General Purpose Input/Output</b>						
GPIO [1]	I/O	1	General Purpose Input/Output	SPI MISO/I2S ext SD	Y	Input pull down
GPIO [2]	I/O	2	General Purpose Input/Output	SPI MOSI/I2S SD	Y	Floating
GPIO [3]	I/O	3	General Purpose Input/Output	SPI SCLK/ I2S CK	Y	Input pull down
GPIO [4]	I/O	4	General Purpose Input/Output	SPI SS/I2S WS	Y	Input pull down
GPIO [5]	I/O	5	General Purpose Input/Output	ADC 0	Y	Input pull down
GPIO [6]	I/O	6	General Purpose Input/Output	ADC 1	Y	Input pull down

### 2.8. Pin Placement Diagram (Top View)



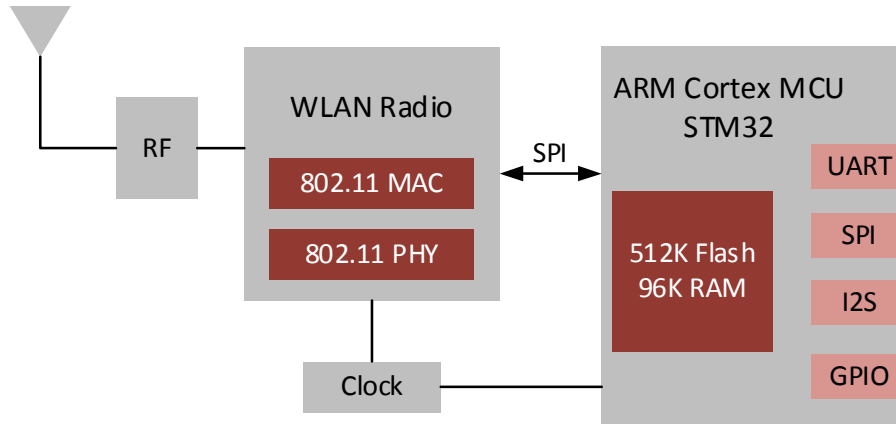
## 2.9. Layout Drawing

Size: 14.6 mm x 13.5 mm x 2.8 mm



### 3. Hardware Design

#### 3.1. Block Diagram



#### 3.2. Layout

- All unused pins should be left floating; do not ground.
- All GND pins must be well grounded.
- The area around the antenna should be free of any ground planes, power planes, trace routings, or metal for at least 6.5 mm in all directions.
- Traces should not be routed underneath the module.

#### 3.3. Module Reflow

The WF63 is a surface mount module supplied on a 15 pin, 6-layer PCB. The final assembly recommended reflow profiles are:

For RoHS/Pb-free applications, Sn96.5/Ag3.0/Cu0.5 solder is recommended.

- Maximum peak temperature of 230° - 240°C (below 250°C).
- Maximum rise and fall slope after liquidous of < 2°C/second.
- Maximum rise and fall slope after liquidous of < 3°C/second.
- Maximum time at liquidous of 40 – 80 seconds.

#### 3.4. GPIO Interface

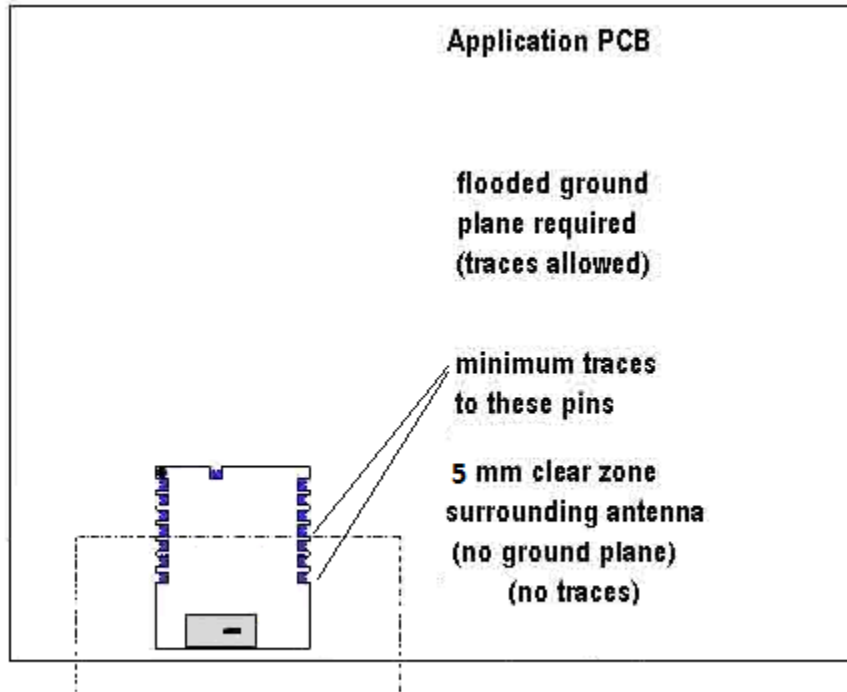
All GPIOs are capable of sinking and sourcing 4Ma of I/O current.

#### 3.5. UART Interface

The UART is compatible with the 16550 industry standard. Four signals are provided with the UART interface.

The TXD and RXD pins are used for data while the CTS and RTS pins are used for flow control.

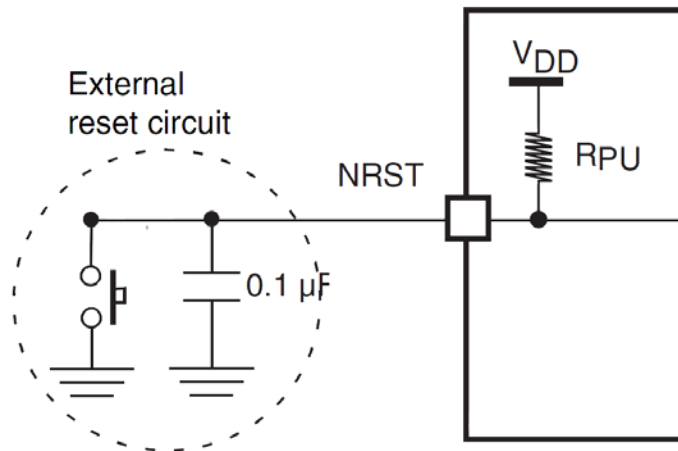
### 3.6. PCB Layout Guidelines



### 3.7. Reset Circuit

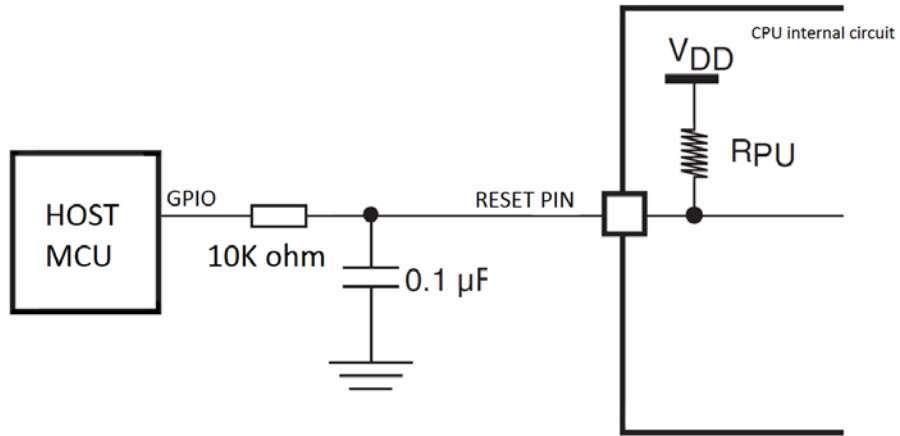
Two types of system reset circuits are detailed below.

#### 3.7.1. External Reset Circuit



Note:  $R_{PU}$  ranges from 30K ohm to 50K ohm internally.

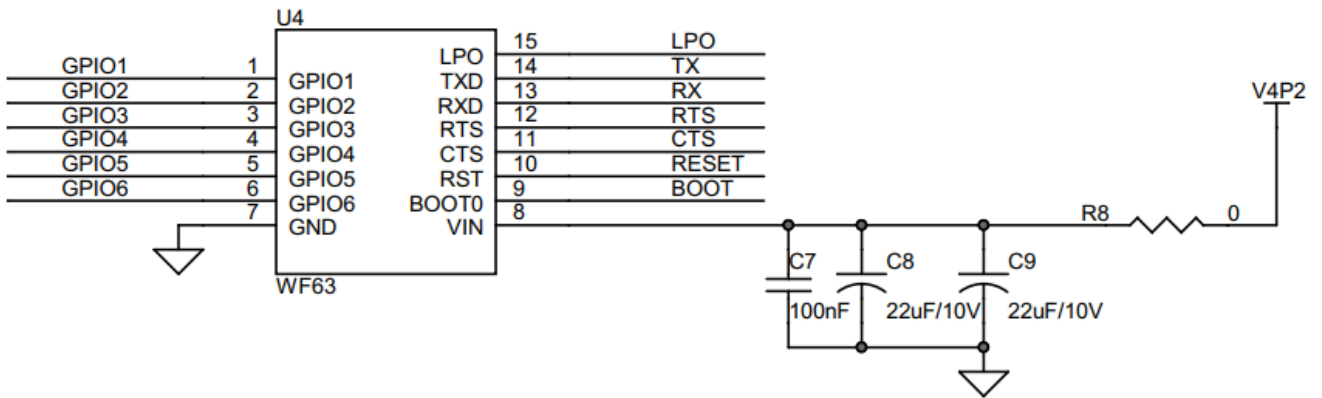
### 3.7.2. Internal Reset Circuit

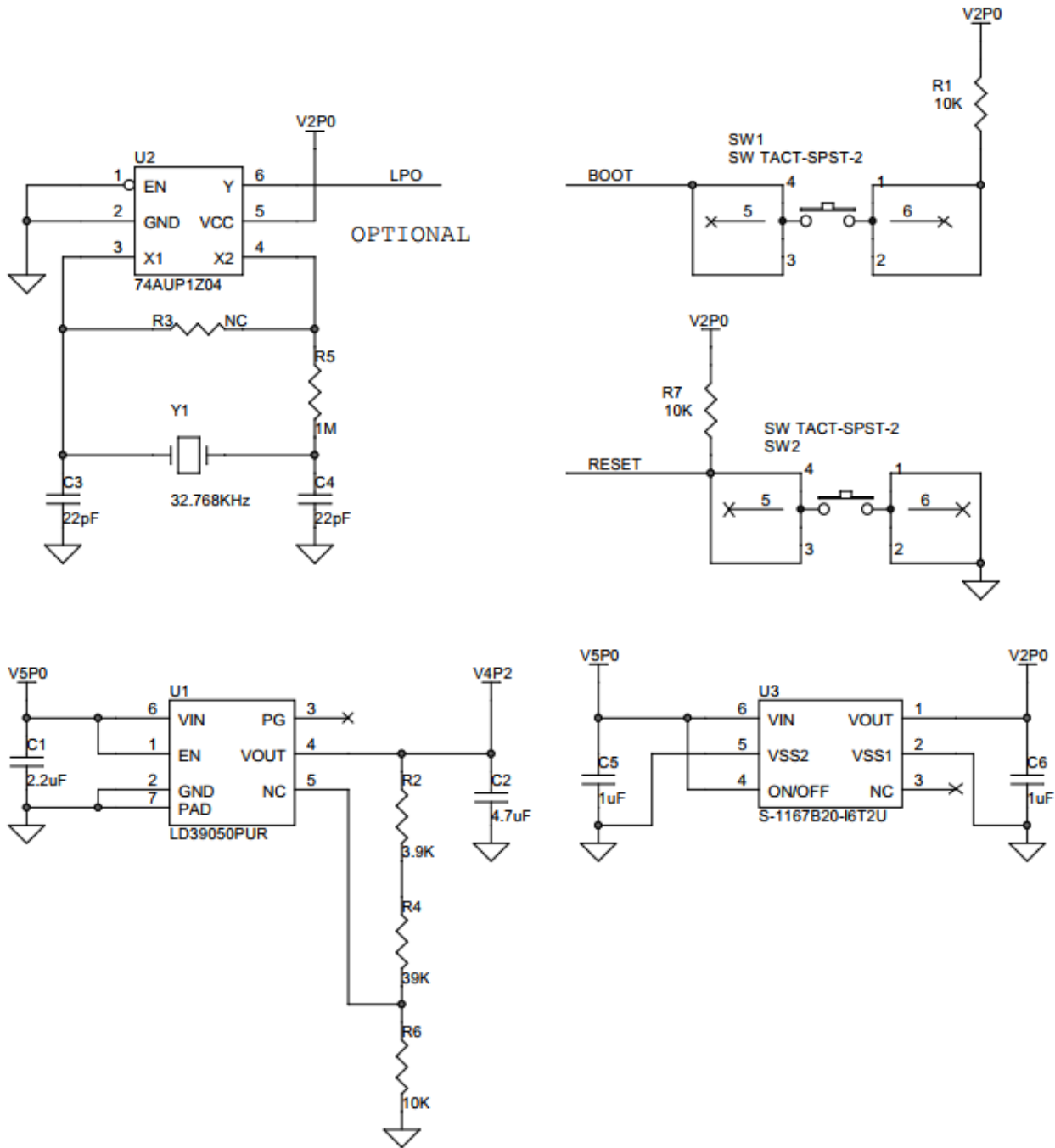


**Notes:**

- $R_{PU}$  ranges from 30K ohm to 50K ohm internally.
- $R_{RST}$  should be from 1K ohm to 10K ohm

### 3.8. Reference design





### 3.9. External LPO Input Circuit

The LPO input circuit is optional. The accuracy of the slow clock frequency must be 32.768 KHz  $\pm$ 150 ppm.

**LPO Parameters:**

Frequency: 32.768 KHz

Tolerance: 150 ppm

Voltage Levels:

Low: 0.1 V

High: 2.0 V

Input Capacitance: 2.5 pF maximum

## 4. Regulatory Compliance

**Federal Communications Commission statement:**

This module has been tested and found to comply with the FCC Part15.

These limits are designed to provide reasonable protection against harmful interference in approved installations. This equipment generates, uses, and can radiate radio frequency energy and, if not installed and used in accordance the instructions, may cause harmful interference to radio communications. However, there is no guarantee that interference will not occur in a particular installation.

This device complies with part 15 of the FCC Rules. Operation is subject to the following two conditions: (1)

This device may not cause harmful interference, and (2) this device must accept any interference received, including interference that may cause undesired operation.

Modifications or changes to this equipment not expressly approved by Amp'ed RF Technology may void the user's authority to operate this equipment.

The modular transmitter must be equipped with either a permanently affixed label or must be capable of electronically displaying its FCC identification number

(A) If using a permanently affixed label, the modular transmitter must be labeled with its own FCC identification number, and, if the FCC identification number is not visible when the module is installed inside another device, then the outside of the device into which the module is installed must also display a label referring to the enclosed module. This exterior label can use wording such as the following: "Contains Transmitter Module FCC ID: X3ZWFMOD9" or "Contains FCC ID: X3ZWFMOD9."

(B) If the modular transmitter uses an electronic display of the FCC identification number, the information must be readily accessible and visible on the modular transmitter or on the device in which it is installed. If the module is installed inside another device, then the outside of the device into which the module is installed must display a label referring to the enclosed module. This exterior label can use wording such as the following: "Contains FCC certified transmitter module(s)."

To satisfy FCC RF Exposure requirements for mobile and base station transmission devices, a separation distance of 20 cm or more should be maintained between the antenna of this device and persons during operation. To ensure compliance, operation at closer than this distance is not recommended. The antenna(s) used for this transmitter must not be co-located or operating in conjunction with any other antenna or



transmitter.

**Industry Canada statement:**

Label of the end product:

The final end product must be labeled in a visible area with the following “Contains transmitter module IC: 8828A-MOD9”

This Class B digital apparatus complies with Canadian ICES-003.

Cet appareil numérique de la classe B est conforme à la norme NMB-003 du Canada.

This device complies with RSS-210 of the Industry Canada Rules. Operation is subject to the following two conditions: (1) This device may not cause harmful interference, and (2) this device must accept any interference received, including interference that may cause undesired operation.

Ce 17ispositive est conforme à la norme CNR-210 d’Industrie Canada applicable aux appareils radio exempts de licence. Son fonctionnement est sujet aux deux conditions suivantes: (1) le 17ispositive ne doit pas produire de brouillage préjudiciable, et (2) ce 17ispositive doit accepter tout brouillage reçu, y compris un brouillage susceptible de provoquer un fonctionnement indésirable.

**4.1. Modular Approval, FCC and IC**

FCC ID: X3ZWFMOD9

IC: 8828A-MOD9

In accordance with FCC Part 15, the WF63 is listed above as a Limited Modular Transmitter device.

**4.2. FCC Label Instructions**

The outside of final products that contain a WF63 device must display a label referring to the enclosed module. This exterior label can use wording such as the following:

Contains Transmitter Module

FCC ID: X3ZWFMOD9

IC: 8828A-MOD9

Any similar wording that expresses the same meaning may be used.

**4.3. CE Label Instructions**

**CE 0197**

**5. Ordering Information**

Part Name	Description
WF63	Standard version

## 6. Revision History

Data	Revision	Description
10/26/2017	1.0	Initial WF63 datasheet
12/20/2017	1.1	Add reference design and LPO section