

ART6212 Datasheet

Amp'ed RF Technology, Inc.

ART6212 Product Specification



12 mm x 12 mm x 2.4 mm

Description

Amp'ed RF Tech presents the ART6212 Wi-Fi & BLE combo module: 802.11 abgn/BLEv4.2. The ART6212 is a small footprint low cost RF module intended to help customers shorten product development cycles and reduce cost.

Fully compatible with our AmpedUP embedded protocol stack, the ART6212 may be matched with many Host MCU chipsets. Additionally, Linux and Android OS drivers are available.

The ART6212 is offered in WiFi/BLE combo, WiFi only, and BLE only configurations.

Features

WLAN

- 802.11a/b/g/n, 802.11d, 802.11r
- Dual Band: 2.4GHz and 5GHz
- Output Power, +21.5dBm
- Interface, SDIO 2.0, SPI
- Wi-Fi Direct (concurrent)
- Wi-Fi Protected Setup
- Soft Access Point
- Hotspot 2.0
- Security: WPA1/WPA2, AES, WEP

Bluetooth

- Bluetooth BLE 4.2

Hardware

- Serial interfaces: UART, SDIO
- RoHS conformance

Contents^[K1]

1. Hardware Specifications	4
1.1. Recommended Operating Conditions	4
1.2. Absolute Maximum Ratings	4
1.3. Current Consumption	4
1.4. Selected RF Characteristics	6
1.5. Pin Assignment ART6212	8
1.6. Layout Drawing ART6212	10
2. Hardware Design	11
2.1. Module Reflow Installation.....	11
3. Reference Design Example ART6212	12
4. Startup behavior	14
4.1. WL_REG_ON & BT_RST_N	14
4.2. UART and SPI interface	15
5. RF Path Control	15
5.1. ART6212 Control	15
6. Ordering Information	15
7. Revision History	16

1. Hardware Specifications

General Conditions (VIN= 3.6V and 25°C)

1.1. Recommended Operating Conditions

Rating	Min	Typical	Max	Unit
Operating Temperature Range	-40	-	85	°C
Supply Voltage V_{IN}	2.3	3.6	4.8	Volts
Supply Voltage V_{DDIO}	1.7	3.3	3.6	Volts
Signal Pin Voltage	-	1.8	-	Volts
RF Frequency	2400	-	2483.5	MHz

1.2. Absolute Maximum Ratings

Rating	Min	Typical	Max	Unit
Storage temperature range	-55	-	+150	°C
Supply voltage V_{IN}	-0.3	-	+4.8	Volts
I/O pin voltage V_{IO}	-0.3	-	+3.6	Volts
RF input power	-	-	-5	dBm

1.3. Current Consumption

Modes (WLAN Max Power Consumption) $V_{BAT}=3.6v$	Avg	Unit
Complete Power Down (WL_REG_ON low)	17	μA
Sleep	101	μA
Power save (beacon period including DTIM 100ms, beacon length 1ms) -proprietary power saving features enabled	0.77	mA
RX (idle, 2.4GHz)	64.07	mA
RX (active, 2.4GHz, OFDM)	67.87	mA
TX (active, 2.4GHz, OFDM), 15.5dBm @RF port	242.67	mA
TX (active, 2.4GHz, OFDM), 20.5dBm @RF port	338.67	mA
TX (active, 2.4GHz, OFDM), 19.0dBm @RF port	285.67	mA
Video streaming; the device is receiving 2.0 Mbps of data using legacy PSM mode (for example, MPEG-4@2Mbps)	13.31	mA
I _{peak} : system maximum peak current draw	378	mA

Modes (Bluetooth Typical Power Consumption)	Avg	Unit
System reset mode	0.1	μA
System deep sleep mode	24	μA
Advertising (nonconnectable) (Interval: 1.28s;Data:15; bytes 3 channels)	150	μA
Advertising (discoverable) (Interval: 1.28 s;Data: 15 bytes;3 channels)	180	μA
Scanning (Interval: 1.28 s;Window: 11.25 ms;Single frequency per window)	TBD	μA

1.4. Selected RF Characteristics

Parameters	Conditions	Typical	Unit
Antenna load		50	ohm
Wi-Fi Receiver			
Sensitivity	DSSS 1Mbps@FER<8%	-98	dBm
Sensitivity	DSSS 2Mbps@FER<8%	-95	dBm
Sensitivity	CCK 5.5Mbps@FER<8%	-93	dBm
Sensitivity	CCK 11Mbps@FER<8%	-91	dBm
Sensitivity	BPSK 6Mbps@PER<10%	-93.5	dBm
Sensitivity	BPSK 9Mbps@PER<10%	-91.5	dBm
Sensitivity	QPSK 12Mbps@PER<10%	-90.5	dBm
Sensitivity	QPSK 18Mbps@PER<10%	-88	dBm
Sensitivity	16QAM 24Mbps@PER<10%	-85	dBm
Sensitivity	16QAM 36Mbps@PER<10%	-82	dBm
Sensitivity	64QAM 48Mbps@PER<10%	-78	dBm
Sensitivity	64QAM 54Mbps@PER<10%	-76.5	dBm
Sensitivity	BPSK 6.5Mbps@PER<10%	-92	dBm
Sensitivity	QPSK 13Mbps@PER<10%	-89	dBm
Sensitivity	QPSK 19.5Mbps@PER<10%	-86.5	dBm
Sensitivity	16QAM 26Mbps@PER<10%	-84	dBm
Sensitivity	16 QAM 39Mbps@PER<10%	-80.5	dBm
Sensitivity	64QAM 52Mbps@PER<10%	-76.5	dBm
Sensitivity	64QAM 58.5Mbps@PER<10%	-74.5	dBm
Sensitivity	64QAM 65Mbps@PER<10%	-73	dBm
Wi-Fi Receiver 5GHz 11n			
Sensitivity	BPSK 6.5Mbps@PER<10%,Nss=1	-91	dBm
Sensitivity	QPSK 13Mbps@PER<10%, Nss=1	-88	dBm
Sensitivity	16QAM 26MbpsPER<10%,Nss=1	-83	dBm
Sensitivity	64QAM 65MbpsPER<10%,Nss=1	-72.5	dBm
Wi-Fi Transmitter			
Output Power	802.11b/g DSSS/CCK	21.25	dBm
Output Power	802.11b/g BPSK 1/2	21.25	dBm
Output Power	802.11b/g BPSK 3/4	21.25	dBm
Output Power	802.11b/g QPSK 1/2	21.25	dBm

Output Power	802.11b/g QPSK 3/4	21.25	dBm
Output Power	802.11b/g 16QAM 1/2	21.25	dBm
Output Power	802.11b/g 16QAM 3/4	20.25	dBm
Output Power	802.11b/g 64QAM 2/3	19.25	dBm
Output Power	802.11b/g 64QAM 3/4	18.25	dBm
Output Power	802.11n MCS-0	21.25	dBm
Output Power	802.11n MCS-1	21.25	dBm
Output Power	802.11n MCS-2	21.25	dBm
Output Power	802.11n MCS-3	21.25	dBm
Output Power	802.11n MCS-4	20.25	dBm
Output Power	802.11n MCS-5	19.25	dBm
Output Power	802.11n MCS-6	18.25	dBm
Output Power	802.11n MCS-7	17.00	dBm
Wi-Fi Transmitter 5GHz, 11n			
Output Power	802.11n MCS-0	19.5	dBm
Output Power	802.11n MCS-7	14.5	dBm
Bluetooth Transmitter			
Frequency range		2400~2483.5	MHz
Maximum output power		2	dBm
Minimum output power		-21	dBm
Minimum output power in advertising mode		-4	dBm
Output power accuracy		2	dB
Bluetooth Receiver			
Receiver sensitivity (clean transmitter)	BER < .001	-93	dBm

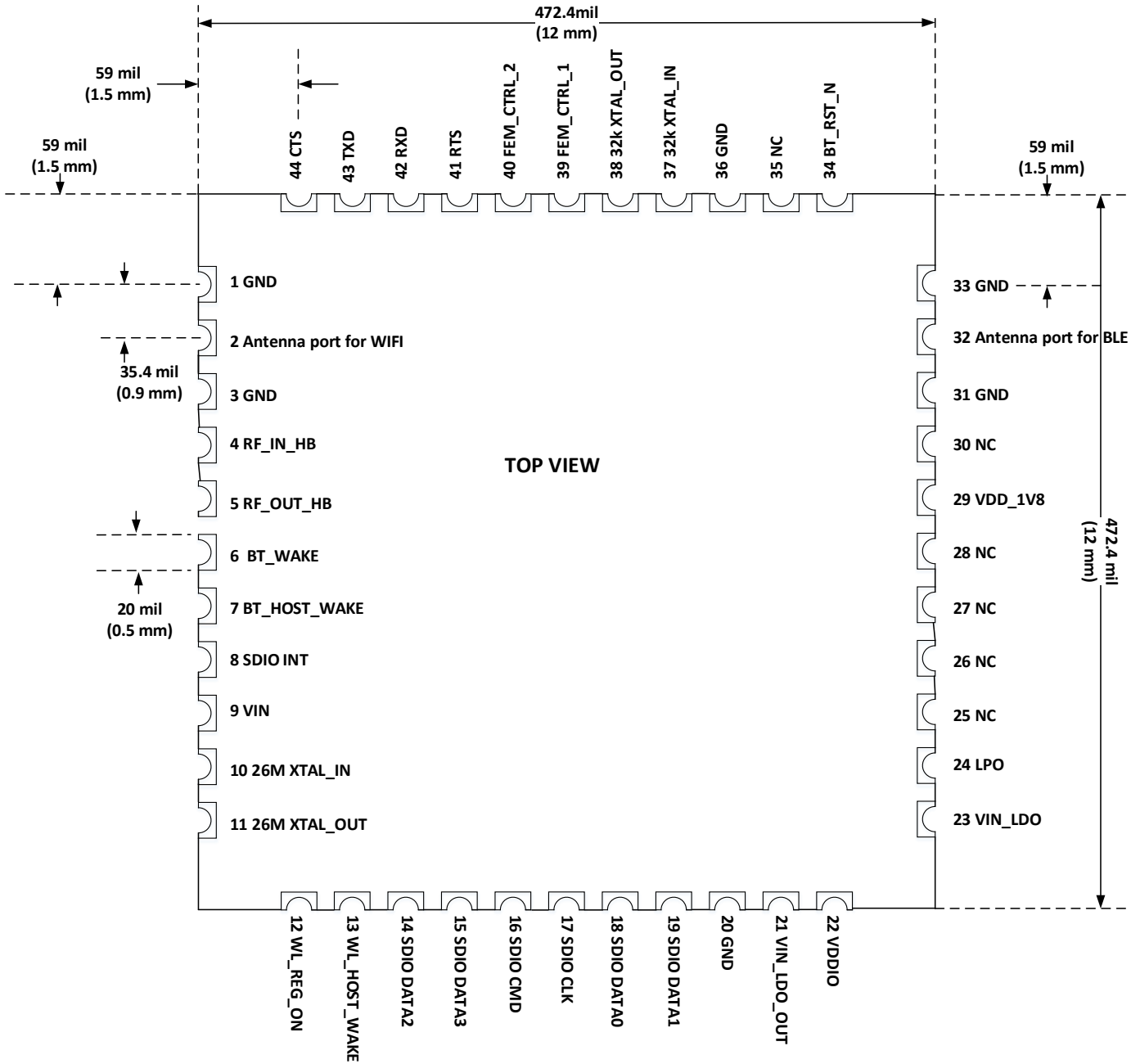
1.5. Pin Assignment ART6212

Name	Type	Pin #	Description	ALT Function	Typ Voltage
Power and Ground					
VIN		9	VIN		3.6v
GND		20	GND		
VIN_LDO_OUT		21	Internal Buck voltage generation pin		
VDDIO		22	I/O Voltage supply input		
VIN_LDO		23	Internal Buck voltage generation pin		
VDD_1V8		29	1.8V power supply input (optional)		1.8v
Control					
BT_RST_N	I	34	BT Reset input		3.3v
WL_REG_ON	I	12	Internal regulators power enable/disable		
BT_WAKE	I	6	HOST wake-up Bluetooth device		
BT_HOST_WAKE	O	7	Bluetooth device to wake-up HOST		
WL_HOST_WAKE	O	13	WLAN to wake-up HOST		
FEM_CTRL_1	I	39	Function control of antenna switch		
FEM_CTRL_2	I	40	Function control of antenna switch		
Clock					
LPO	I	24	low power clock 32.768KHz		3.3v
26M XTAL_IN	I	10	26MHz Crystal input		
26M XTAL_OUT	O	11	26MHz Crystal output		
32k XTAL_IN	I	37	32KHz Crystal input		
32k XTAL_OUT	O	38	32KHz Crystal output		
UART Interface					
RXD	I	42	Receive data		3.3v
TXD	O	43	Transmit data		3.3v
RTS	O	41	Request to send (active low)		3.3v
CTS	I	44	Clear to send (active low)		3.3v
Digital Interface					
SDIO [0]	I/O	16	SDIO CMD	SPI DI	3.3v
SDIO [1]	I/O	18	SDIO DATA0	SPI DO	3.3v
SDIO [2]	I/O	19	SDIO DATA1	SPI INT	3.3v

SDIO [3]	I/O	15	SDIO DATA3	SPI CSN	3.3v
SDIO [4]	I/O	17	SDIO CLK	SPI CLK	3.3v
SDIO [5]	I/O	14	SDIO DATA2		3.3v
SDIO INT	I	8	SDIO external interrupt		1.8v
5GHz Interface					
RF_IN_HB	I	4	5GHz RF input		
RF_OUT_HB	O	5	5GHz RF output		
External Antenna					
GND		1	GND		
WL_ANT		2	Antenna port for WIFI		
GND		3	GND		
GND		31	GND		
BLE ANT		32	Antenna port for BLE		
GND		33	GND		
GND		36	GND		
NC Pins					
NC		25	Floating (Do not connect to ground)		
NC		26	Floating (Do not connect to ground)		
NC		27	Floating (Do not connect to ground)		
NC		28	Floating (Do not connect to ground)		
NC		30	Floating (Do not connect to ground)		
NC		35	Floating (Do not connect to ground)		

1.6. Layout Drawing ART6212

Size: 12 mm x 12mm x 2.4 mm (height)



2. Hardware Design

- All unused pins should be left floating; do not ground.
- All GND pins must be well grounded.
- Traces should not be routed underneath the module.

2.1. Module Reflow Installation

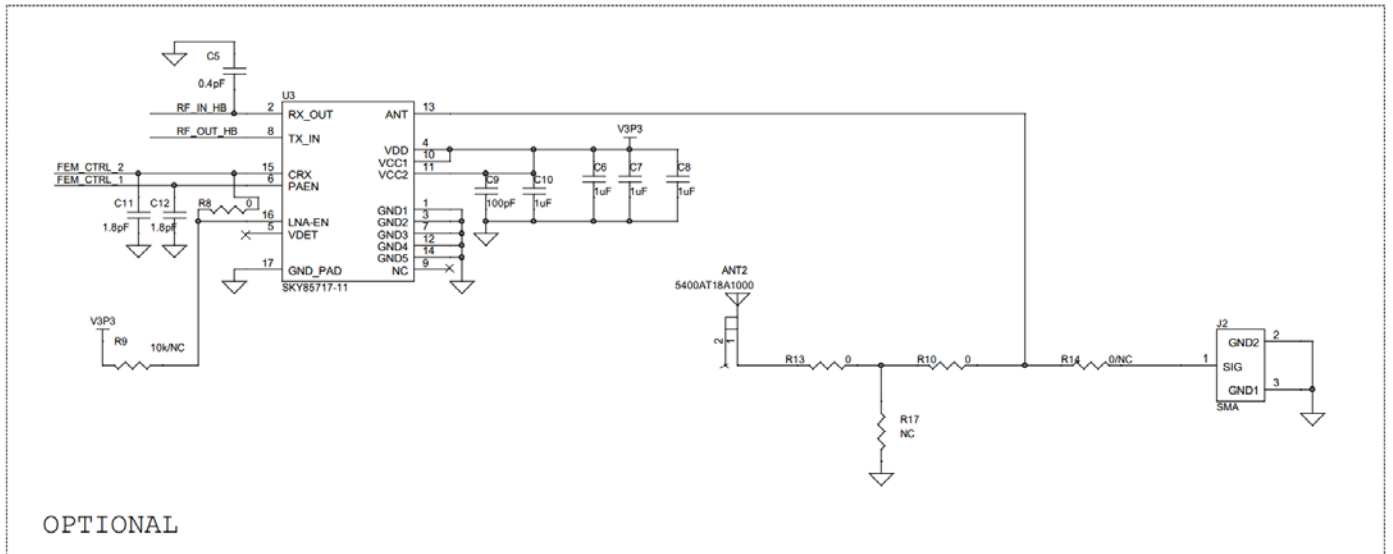
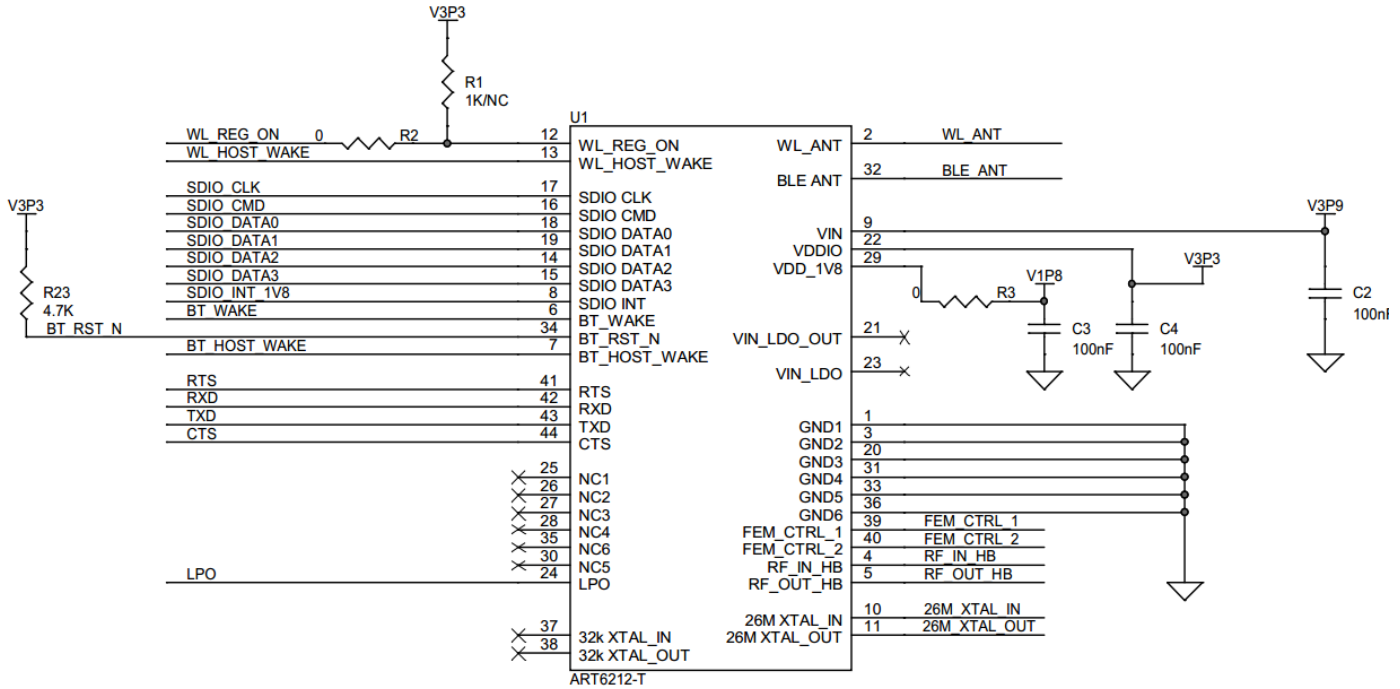
The ART6212 is a surface mount Bluetooth module supplied on a 44 pin, 6-layer PCB. The final assembly recommended reflow profiles are:

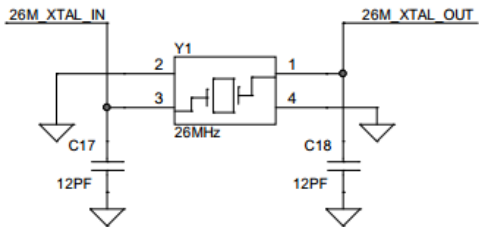
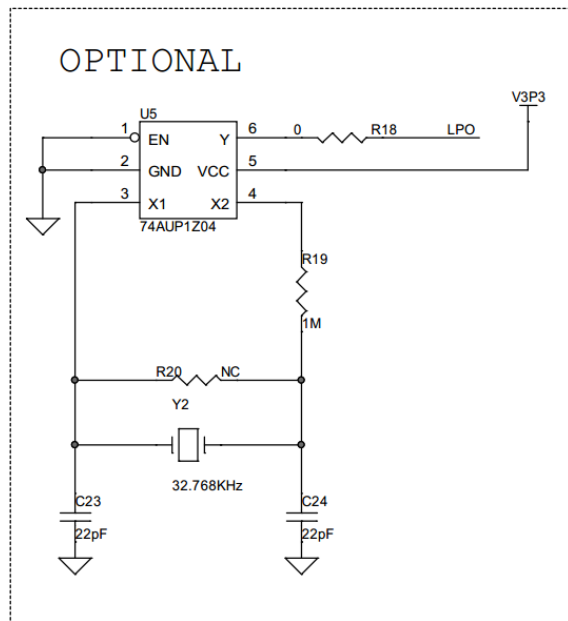
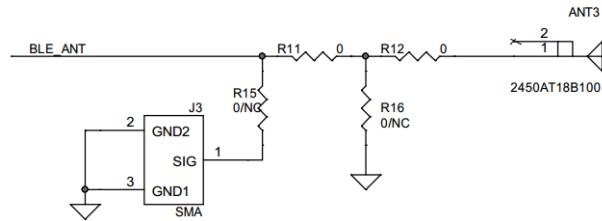
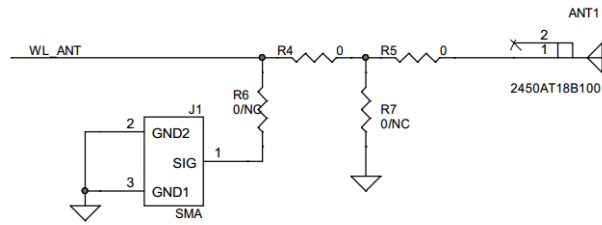
For RoHS/Pb-free applications, Sn96.5/Ag3.0/Cu0.5 solder is recommended.

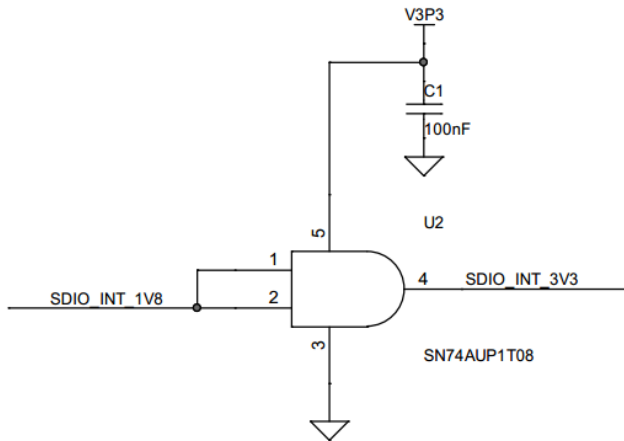
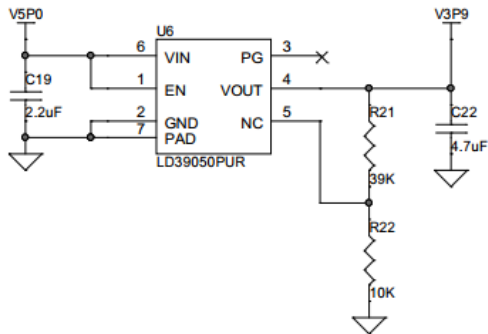
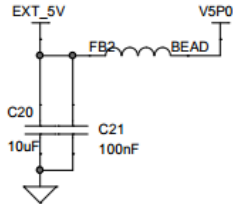
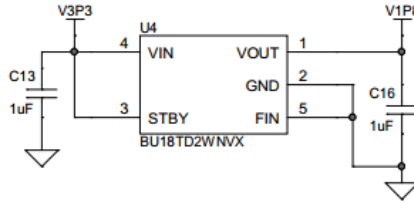
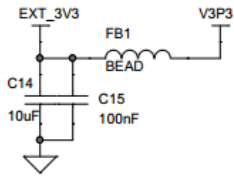
- Maximum peak temperature of 230° - 240°C (below 250°C).
- Maximum rise and fall slope after liquidous of < 2°C/second.
- Maximum rise and fall slope after liquidous of < 3°C/second.
- Maximum time at liquidous of 40 – 80 seconds.

3. Reference Design Example ART6212

The follow circuits are examples of typical Linux based platform connections to the ART6212 module.







Note: It is recommended to use a 9pF load capacitance, 26MHz crystal (Y1), with 10ppm initial tolerance. Its load capacitors (C17, C18) are recommended to be from 12pF or 15pF depending the PCB layout traces. Capacitors' ESR are recommended to be 0.1ohm at 100MHz. The traces from the crystal to the ART6212 pads should be as short as possible, and avoid using vias.

4. Startup behavior

4.1. WL_REG_ON & BT_RST_N

These pins are always an input pins, active low, with a PD during reset. This signal MUST be active during power supplies initialization and, when all power supplies are stable, it must remain active low for at least 2

cycles of the slow clock in order to insure good reset functionality.

When WL_REG_ON is low, the WIFI chip is power down.

When BT_RST_N is low, the Bluetooth chip is power down.

4.2. UART interface

UART_CTS is an input with PU, UART_RXD is an input with PU, UART_TXD toggles from input PU to output High and UART_RTS toggles from input PU to output Low 70ms after reset, enabling UART communication if needed.

4.3. SDIO and SPI interface

SDIO DATA2 is the selection pin; the state of this pin is monitored on the rising edge of RESET.

- LOW selects SPI
- HIGH selects SDIO

5. RF Path Control

5.1. ART6212 Control

Version	Path
ART6212-T	WLAN 2.4GHz uses external ANT; BLE uses external ANT; WLAN 5GHz uses external antenna

6. Ordering Information

Part Name	Description
ART6212-T-CM	Combo WiFi and BLE v4.1 External ant for WLAN/BLE 2.4GHz, ext LDO
ART6212-T-WF	WiFi only External ant for WLAN, ext LDO
ART6212-T-BLE	BLE v4.1 only External ant for BLE, ext LDO
ART6212-S-CM	Combo WiFi and BLE v4.2. External ant for WLAN/BLE 2.4GHz, ext LDO

7. Revision History

Date	Revision	Description
24 May 2016	0.1	Preliminary draft
2 Aug, 2016	1.0	Added BLE and WiFi only options to part number
29 Dec 2016	1.1	Change the UART TXD\RXD definition
20 Jan 2017	1.2	Added recommended crystal and load capacitors
27 April 2017	2.0	Updated status to final release
24 May 2018	2.1	Added BLE v4.2 part number option.