

D-BLE60 Application Note

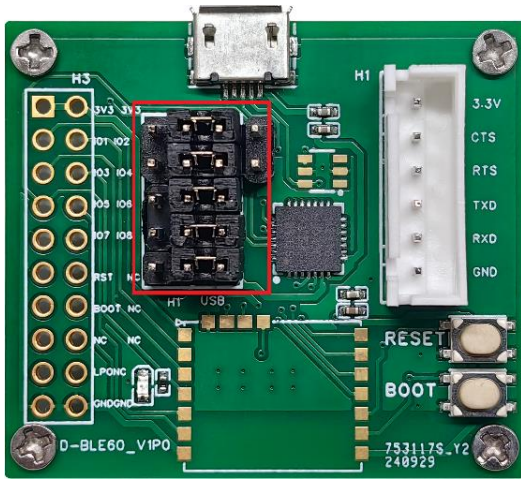
Amp'ed RF Technology, Inc.

D-BLE60 Application Note

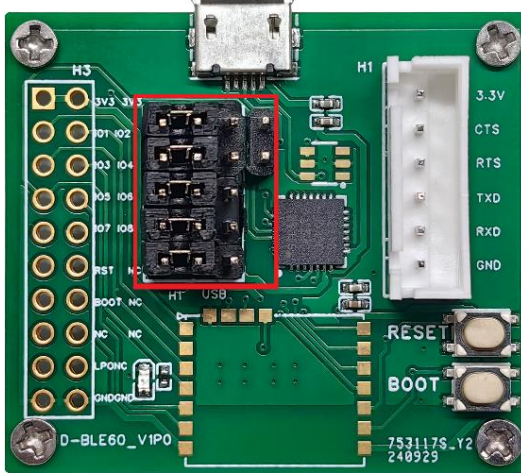
1. Development Board Jumpers

Select the serial mode using the jumpers indicated below.

R6 R7 R8 R9 R11 ----- USB to UART (default)

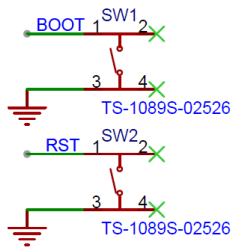
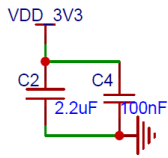
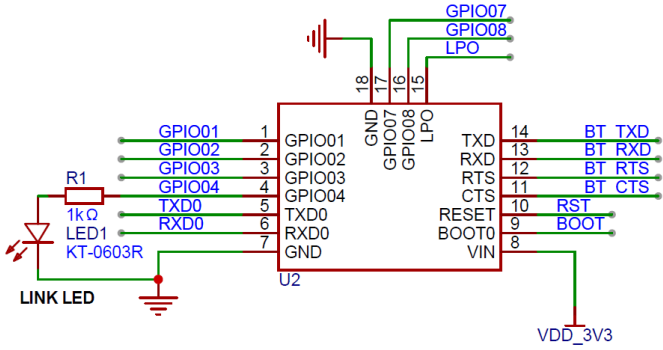


R2 R3 R4 R5 R10 ----- Header 1 to UART



2. Schematic and Pinout

BLE60



UART

